

4K UHD

H150

150M HDBaseT Extender

Operations Guide



AS[®]

Safety Instructions

Symbols used in user manuals and equipment indicate the possible harm to users or others and the risk of property damage. In order for you to use the equipment safely and correctly, the signs and their meanings are as follows. Please make sure to correctly understand these signs before reading the user manual.



The Federal Communications Commission's certification mark for electronic products EMC.



The product contains some metal components, please pay attention to environmental protection.



Adopted Directive 2002 / 95 / EC of the European Parliament and of the Council.



CE certification means that this product has reached the safety requirements stipulated by the EU directives, and users can use it with confidence.



This product is Class A, which may cause radio interference in living environment. In this case, users may need to take practical measures against interference.



Remind the user that the uninsulated dangerous voltage in the equipment may cause electric shock.



Warning: To avoid electric shock, please don't open the cover and put the useless parts in the case. Please contact qualified service personnel.

General information indication



Lists the contents that may lead to unsuccessful operation or setup and some related information that needs attention.

Warning

To ensure the reliable use of the equipment and personal safety, please observe the following items during installation, use and maintenance:

Precautions during installation

- Do not use this product in the following places: places with dust, lampblack, conductive dust, corrosive gas and combustible gas; Exposed to high temperature, condensation, wind and rain; There are occasions of vibration and impact. Electric shock, fire and misoperation can also lead to product damage and deterioration;
- During screw hole processing and wiring, do not make metal scraps and wire ends fall into the vent hole of the controller, which may cause fire, failure and misoperation;
- At the end of the product installation, it is necessary to ensure that there are no foreign objects on the ventilation surface, including dust-proof paper and other packaging items, otherwise it may lead to poor heat dissipation during operation, resulting in fire, failure and misoperation;
- Avoid wiring, plugging and unplugging cable plugs in the live state, otherwise it will easily lead to electric shock or circuit damage;
- And the installation and wiring must be firm and reliable, and poor contact may lead to misoperation;
- For applications with serious interference, shielded cables should be used for input or output cables of high-frequency signals to improve the anti-interference performance of the system.

Matters needing attention when wiring

- All external power supply must be cut off before installation, wiring and other operations can be carried out, otherwise electric shock or equipment damage may be caused;
- This product is grounded through the grounding wire of the power cord. To avoid electric shock, the grounding wire must be connected to the earth. Before connecting the input or output of this product, please be sure to properly ground this product.
- After the installation and wiring, remove the foreign matter immediately. Please cover the terminal cover plate of the product before electrifying to avoid electric shock.

Matters needing attention in maintenance

- Do not touch the terminal when it is energized, otherwise it may cause electric shock and misoperation;
- Please clean and tighten the terminals after turning off the power supply, which may cause electric shock when powered on;
- Please connect or remove the communication signal cable, cable connection or removal of expansion module or control unit after turning off the power supply, otherwise it may cause equipment damage and misoperation;
- Do not disassemble the equipment to avoid damaging the internal electrical components;
- Be sure to read this manual carefully and fully confirm the safety before changing, commissioning, starting and stopping the program.

Matters needing attention when scrapping products

- Electrolytic capacitors on circuit boards may explode when burned;
- Please collect and treat them separately, and do not put them into domestic garbage.
- Please treat it as industrial waste or according to local environmental protection regulations.

Contents:

1.	Technical parameter	_____	1
2.	Physical Description	_____	2
	2.1 Panel introduction	_____	2
	2.2 Schematic diagram	_____	4
3.	Functional performance	_____	5
4.	Schematic diagram	_____	5

1. Technical parameter



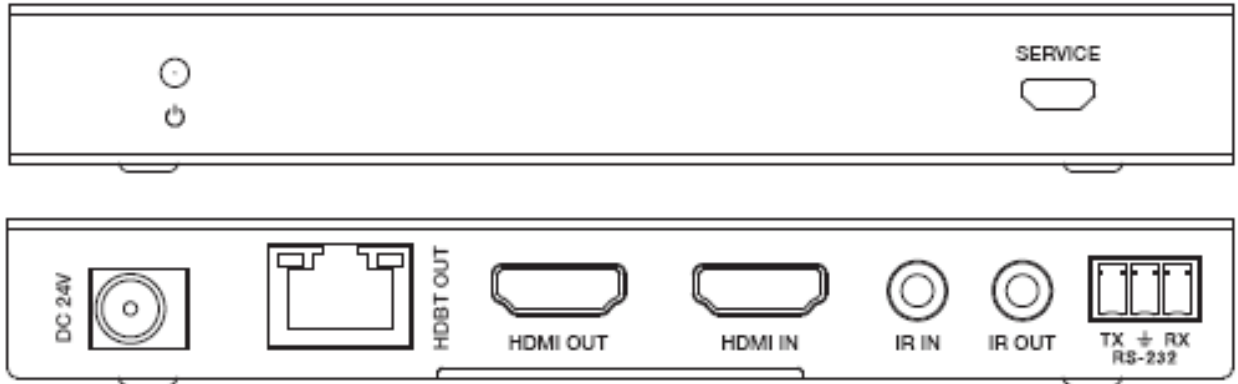
Specifications for the H150 are listed in the following table.

Parameter specification	
HDMI compatibility	HDMI 2.0b
HDCP compatibility	HDCP 2.2/HDCP 1.4
Video bandwidth	18Gbps
Video resolution	4K2K 50/60Hz 4:4:4 4K2K 50/60Hz 4:2:2 4K2K 50/60Hz 4:2:0 4K2K 30Hz 4:4:4 1080p,1080i,720p,720i,480p,480i All 3D TV formats All Computer resolutions, including 1920x1200
Color space	RGB / YCbCr4:4:4,YCbCr4:2:2,YCbCr4:2:0
Color depth	8/10/12-bit(1080p60Hz,4K30Hz,4K60Hz YCbCr 4:2:2/4:2:0) 8-bit(4K60Hz 4:4:4)
HDMI audio format	LPCM2.0/2.1/5.1/6.1/7.1,Dolby Digital,Dolby TrueHD,Dolby Digital Plus(DD+),DTS HD Master,DTS HD-HRA,DTS-X
L/R audio format	PCM 2.0
Electrostatic protection	±8kV(空气放电),±4kV(接触放电)
Shell	Metal
Color	Black
Size	140mm[L] x 65mm[W] x 18mm[H]
Weight	Tx : 160g , Rx : 155g
Power supply	Input : AC 100~240V 50/60Hz Output : DC 24V/1A(Terminal with lock)
Power consumption	9.36W
Operating temperature	0°C~40°C/32°F~104°F
Storage temperature	-20°C~60°C/-4°F~140°F
Relative humidity	20~90% RH(No condensation)
4K2K	120M
1080p	150M

2. Physical Description

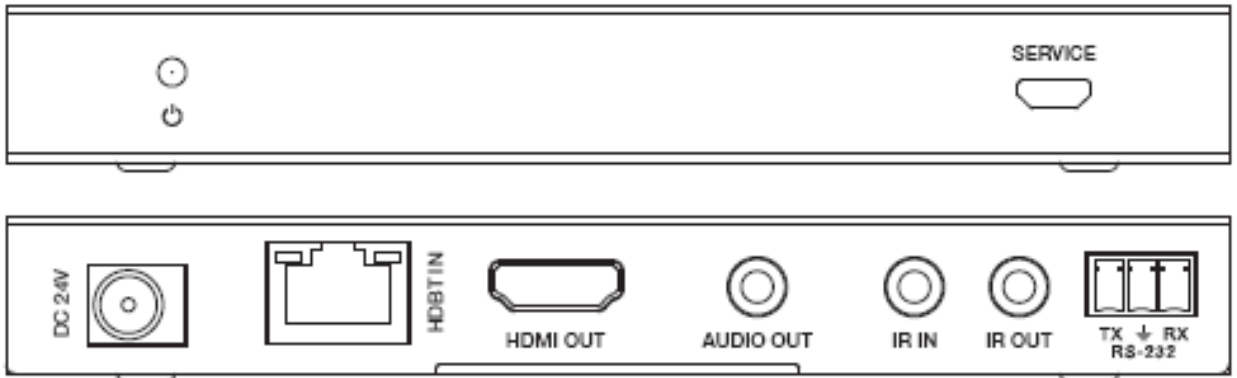
2.1 Panel introduction

◆ TX View



Function name	Functional description
Power LED	Power indicator light. When the transmitter is connected to the power supply, the red LED lights up.
Service	Firmware upgrade port
DV 24V	24V 1A Power supply port Note: This extender supports PoC function, that is, one end of the Tx or Rx is connected to 24V/1A power supply, and the other end does not need to be connected to power supply.
HDBT OUT	RJ45 port , Connect the HDBT IN port of the Rx with CAT cable
Connecting signal indicator lamp (HDBT OUT口左边)	<ul style="list-style-type: none"> ■ Light on : The Tx and Rx are connected normally ■ Light flash : The Tx and Rx are not connected properly ■ Light out : The Tx and Rx are not connected
Digital signal indicator lamp (HDBT OUT口右边)	<ul style="list-style-type: none"> ■ Light on : HDMI signal band HDCP ■ Light flash : HDMI signal without HDCP ■ Light out : No HDMI signal
HDMI OUT	HDMI Loop output
HDMI IN	HDMI source input
IR IN	Connect the 20~60KHz IR line , and this IR signal will be sent to the IR OUT port of the Rx.
IR OUT	Connect the IR line , and this IR signal comes from the IR IN port of the Rx.
RS-232	3-pin phoenix terminal is used to transmit RS-232 command between Tx and Rx.

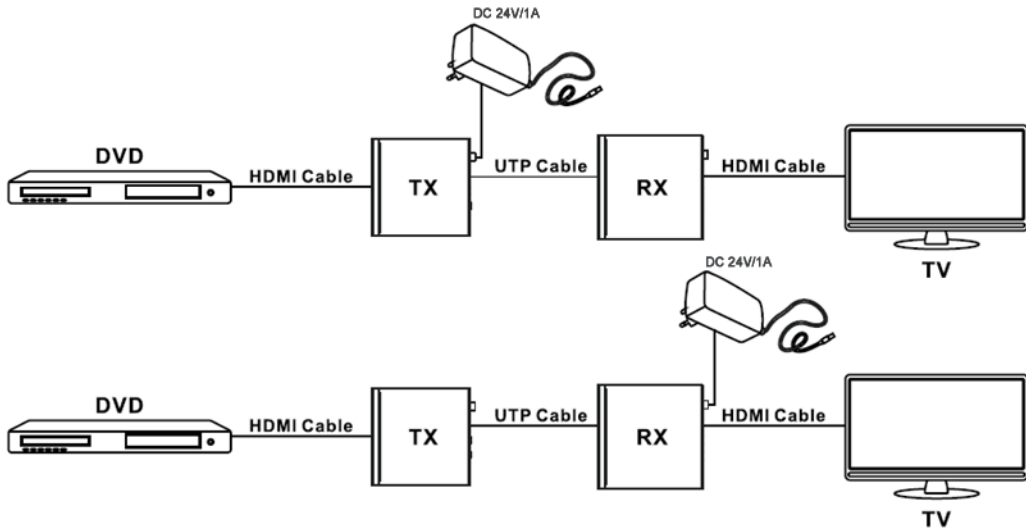
◆ RX View



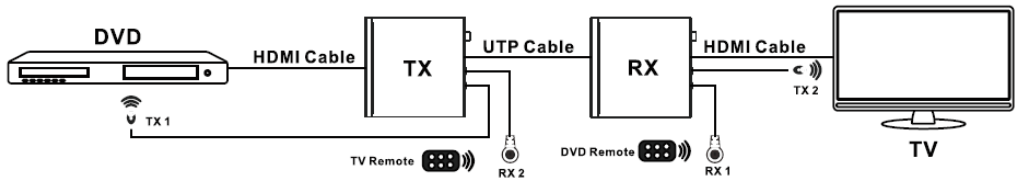
Function name	Functional description
Power LED	Power indicator light. When the transmitter is connected to the power supply, the red LED lights up.
Service	Firmware upgrade port
DV 24V	24V 1A Power supply port Note: This extender supports PoC function, that is, one end of the Tx or Rx is connected to 24V/1A power supply, and the other end does not need to be connected to power supply.
HDBT IN	RJ45 port , Connect the HDBT OUT port of the Tx with CAT cable
Connecting signal indicator lamp (HDBT OUT口左边)	<ul style="list-style-type: none"> ■ Light on : The Tx and Rx are connected normally ■ Light flash : The Tx and Rx are not connected properly ■ Light out : The Tx and Rx are not connected
Digital signal indicator lamp (HDBT OUT口右边)	<ul style="list-style-type: none"> ■ Light on : HDMI signal band HDCP ■ Light flash : HDMI signal without HDCP ■ Light out : No HDMI signal
HDMI OUT	HDMI output
AUDIO OUT	3.5mm terminal connected to analog audio output
IR IN	Connect the 20~60KHz IR line , and this IR signal will be sent to the IR OUT port of the Tx.
IR OUT	Connect the IR line , and this IR signal comes from the IR IN port of the Tx.
RS-232	3-pin phoenix terminal is used to transmit RS-232 command between Tx and Rx.

2.2 Schematic diagram

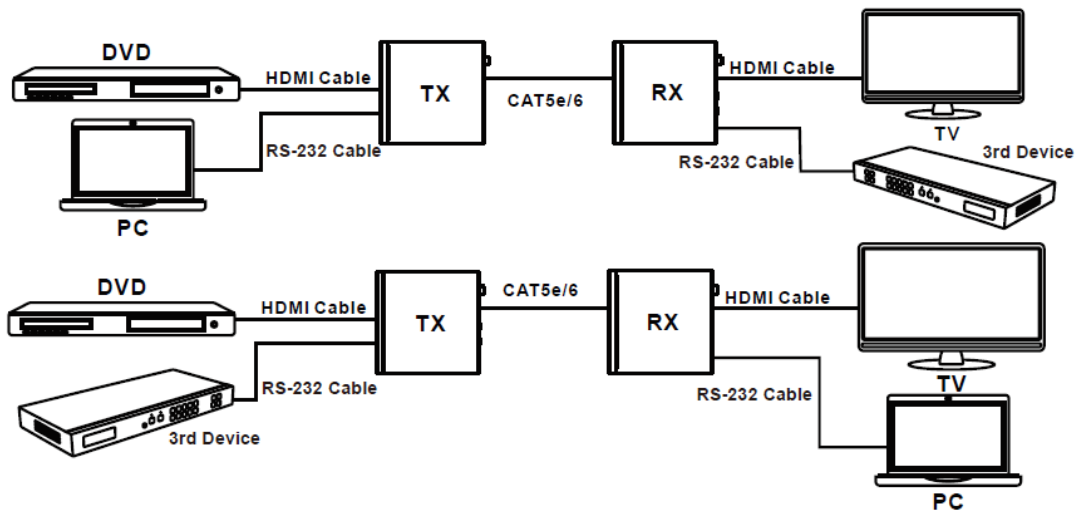
◆ POC (Power Over Cable) Schematic diagram



◆ Bidirectional IR control Schematic diagram



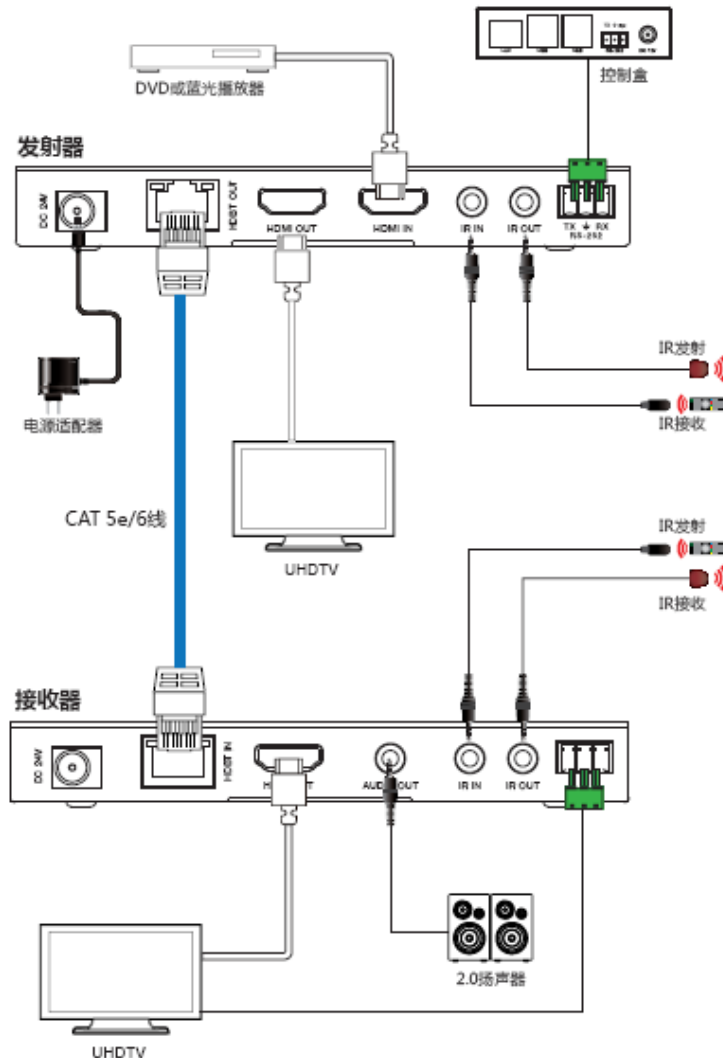
◆ Bidirectional RS-232 control Schematic diagram



3. Functional performance

- Compatible with HDMI 2.0b, HDCP 2.2/HDCP 1.4 and DVI 1.0.
- Support 18Gbps video bandwidth
- The extended distance of input and output reaches
- 120m/150m, and the supported resolution reaches 4K2K/1080P.
- Support 1 HDMI loop output (transmitter) Support the audio-to-analog stereo output (receiving end) of the source device.
- Support bidirectional IR, RS-232 and CEC straight-through.
- Support HDR, HDR 10+, Dolby Vision and HLG functions.
- Support PoC(Power over Cable) function.
- Reasonable design and easy installation.

4. Schematic diagram



安全指示

用户手册和设备上所使用的符号，指出可能对用户或他人造成的伤害以及财产受损的风险，为了您能够安全、正确使用设备，标识及其含义如下，请确保在阅读用户手册之前正确理解这些标识。



美国联邦通讯委员会对电子产品EMC的认证标志。



产品中含有一些金属元器件，请注意环保。



通过欧盟议会和欧盟理事会2002/95/EC指令。



CE认证表示此产品已经达到了欧盟指令规定的安全要求，用户可放心使用。



此为A级产品，在生活环境中，该产品可能会造成无线电干扰。在这种情况下，可能需要用户对干扰采取切实可行的措施。



提醒使用者设备内出现的未绝缘的危险电压可能会导致人遭受电击



警告：为了避免电击，请不要打开机盖，也不要将无用的部分放在机箱内。请与有资格的服务人员联系。

一般信息指示



列示了可能导致操作或设置不成功的内容及一些需要注意的相关信息。

警告

为确保设备可靠使用及人员人身安全，请在安装、使用和维护时，请遵守以下事项：

安装时的注意事项：

- 请勿在下列场所使用本产品：有灰尘、油烟、导电性尘埃、腐蚀性气体、可燃性气体的场所；暴露于高温、结露、风雨的场合；有振动、冲击的场合。电击、火灾、误操作也会导致产品损坏和恶化；
- 在进行螺丝孔加工和接线时，不要使金属屑和电线头掉入控制器的通风孔内，这有可能引起火灾、故障、误操作；
- 产品在安装工作结束，需要保证通风面上没有异物，包括防尘纸等包装物品，否则可能导致运行时散热不畅，引起火灾、故障、误操作；
- 避免带电状态进行接线、插拔电缆插头，否则容易导致电击，或导致电路损坏；
- 安装和接线必须牢固可靠，接触不良可能导致误操作；
- 对于在干扰严重的应用场合，高频信号的输入或输出电缆应选用屏蔽电缆，以提高系统的抗干扰性能。

布线时的注意事项：

- 必须将外部电源全部切断后，才能进行安装、接线等操作，否则可能引起触电或设备损坏；
- 本产品通过电源线的接地导线接地，为避免电击，必须将接地导线与大地相连，在对本产品的输入端或输出端进行连接之前，请务必将本产品正确接地；
- 在安装布线完毕，立即清除异物，通电前请盖好产品的端子盖板，避免引起触电。

保养时的注意事项：

- 请勿在通电时触摸端子，否则可能引起电击、误操作；
- 请在关闭电源后进行清扫和端子的旋紧工作，通电时这些操作可能引起触电；
- 请在关闭电源后进行通讯信号电缆的连接或拆除、扩展模块或控制单元的电缆连接或拆除等操作，否则可能引起设备损坏、误操作；
- 请勿拆卸设备，避免损坏内部电气元件；
- 务必熟读本手册，充分确认安全后，再进行程序的变更、试运行、启动和停止操作。

产品报废时的注意事项：

- 电路板上的电解电容器焚烧时可能发生爆炸；
- 请分类收集和处理，不能投入生活垃圾中；
- 请按工业废弃物进行处理，或者按当地的环境保护规定处理。

目录:

1.	技术参数	1
2.	物理描述	2
	2.1 面板介绍	2
	2.2 应用示意图	4
3.	功能特性	5
4.	系统连接图	5

1. 技术参数



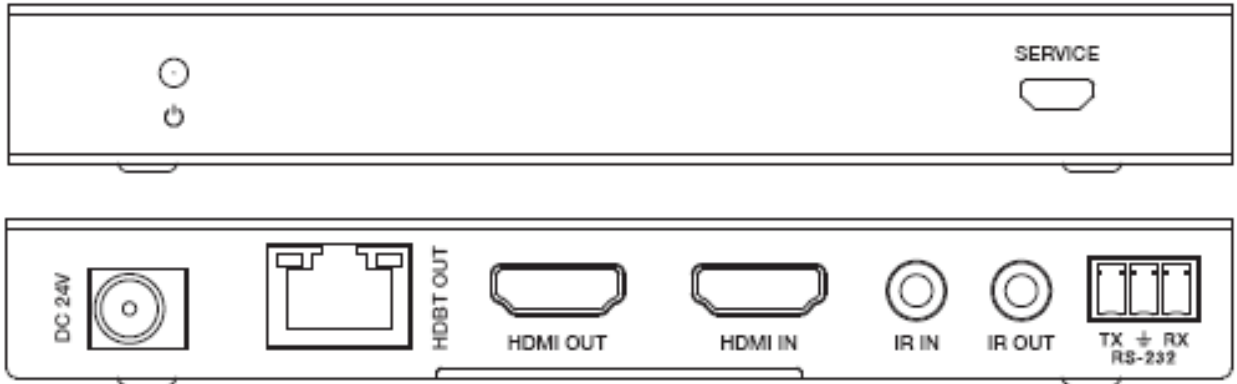
下表列出了H150的规格：

参数规格	
HDMI兼容	HDMI 2.0b
HDCP兼容	HDCP 2.2/HDCP 1.4
视频带宽	18Gbps
视频分辨率	4K2K 50/60Hz 4:4:4 4K2K 50/60Hz 4:2:2 4K2K 50/60Hz 4:2:0 4K2K 30Hz 4:4:4 1080p,1080i,720p,720i,480p,480i 所有的3D TV格式 所有的电脑分辨率，包括1920x1200
颜色空间	RGB / YCbCr4:4:4,YCbCr4:2:2,YCbCr4:2:0
颜色深度	8/10/12-bit(1080p60Hz,4K30Hz,4K60Hz YCbCr 4:2:2/4:2:0) 8-bit(4K60Hz 4:4:4)
HDMI音频格式	LPCM2.0/2.1/5.1/6.1/7.1,Dolby Digital,Dolby TrueHD,Dolby Digital Plus(DD+),DTS HD Master,DTS HD-HRA,DTS-X
L/R音频格式	PCM 2.0
静电保护	±8kV(空气放电),±4kV(接触放电)
外壳	金属外壳
颜色	黑色
尺寸	140mm[长] x 65mm[宽] x 18mm[高]
重量	发射器：160g，接收器：155g
供电电源	输入：AC 100~240V 50/60Hz 输出：DC 24V/1A(带锁扣端子)
电源功耗	9.36瓦
操作温度	0°C~40°C/32°F~104°F
储存温度	-20°C~60°C/-4°F~140°F
相对湿度	20~90% RH(无凝结)
4K2K	120米
1080p	150米

2. 物理描述

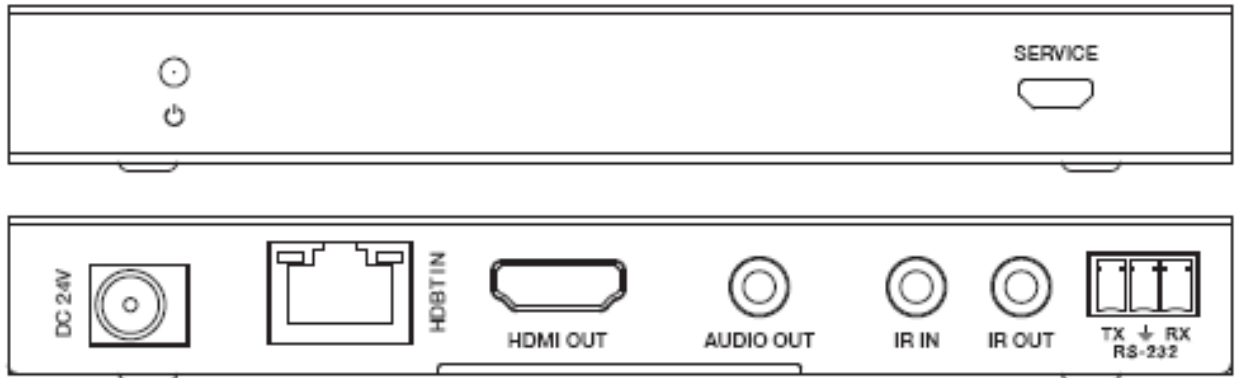
2.1 面板介绍

◆ 发射器面板



名称	功能描述
Power LED	电源指示灯。当发射器连接电源供电时，红色的LED灯亮。
Service	固件升级口
DV 24V	24V 1A电源供电接口 注意：此延长器支持PoC功能，即发射器或接收器一端连接24V/1A电源供电，另一端不需要连接电源供电。
HDBT OUT	RJ45端子，使用CAT线连接接收器的HDBT IN口
连接信号指示灯 (HDBT OUT口左边)	<ul style="list-style-type: none"> ■ 灯亮：发射器和接收器连接正常 ■ 灯闪：发射器和接收器连接不稳定 ■ 灯灭：发射器和接收器未连接
数字信号指示灯 (HDBT OUT口右边)	<ul style="list-style-type: none"> ■ 灯亮：HDMI信号带HDCP ■ 灯闪：HDMI信号不带HDCP ■ 灯灭：无HDMI信号
HDMI OUT	HDMI环路输出口
HDMI IN	HDMI源输入
IR IN	连接20~60KHz IR接收线，此IR信号将发送给接收器的IR OUT口
IR OUT	连接IR发射线，此IR发射信号来自于接收器的IR IN口
RS-232	3-pin凤凰端子，作用是在发射器和接收器之间传输RS-232命令

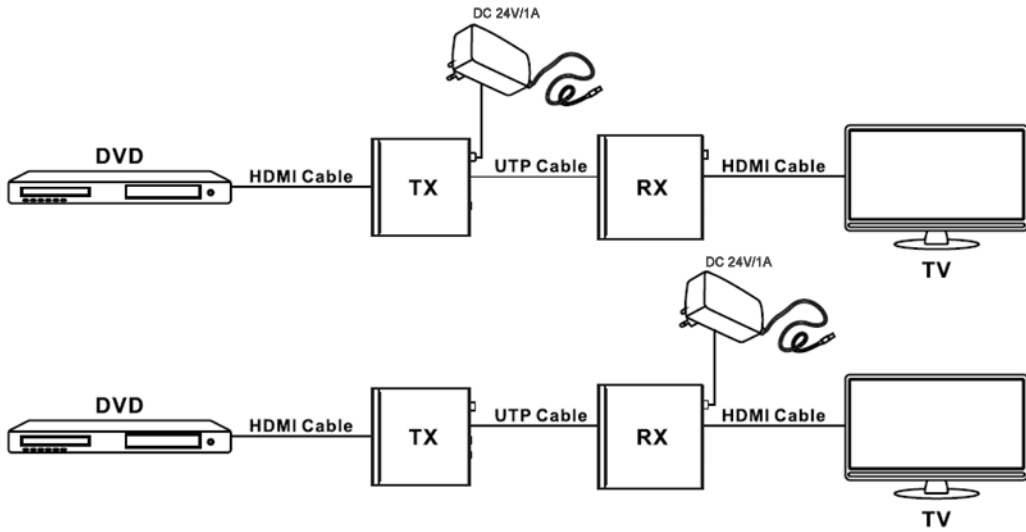
◆ 接收器面板



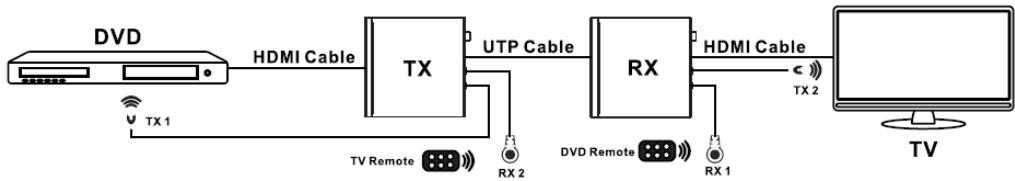
名称	功能描述
Power LED	电源指示灯。当接收器连接电源供电时，红色的LED灯亮。
Service	固件升级口
DV 24V	24V 1A电源供电接口 注意：此延长器支持PoC功能，即发射器或接收器一端连接24V/1A电源供电，另一端不需要连接电源供电。
HDBT IN	RJ45端子，使用CAT线连接发射器的HDBT OUT口
连接信号指示灯 (HDBT OUT口左边)	<ul style="list-style-type: none"> ■ 灯亮：发射器和接收器连接正常 ■ 灯闪：发射器和接收器连接不稳定 ■ 灯灭：发射器和接收器未连接
数字信号指示灯 (HDBT OUT口右边)	<ul style="list-style-type: none"> ■ 灯亮：HDMI信号带HDCP ■ 灯闪：HDMI信号不带HDCP ■ 灯灭：无HDMI信号
HDMI OUT	HDMI输出口
AUDIO OUT	3.5mm端子连接模拟音频输出
IR IN	连接20~60KHz IR接收线，此IR信号将发送给发射器的IR OUT口
IR OUT	连接IR发射线，此IR发射信号来自于发射器的IR IN口
RS-232	3-pin凤凰端子，作用是在发射器和接收器之间传输RS-232命令

2.2 应用示意图

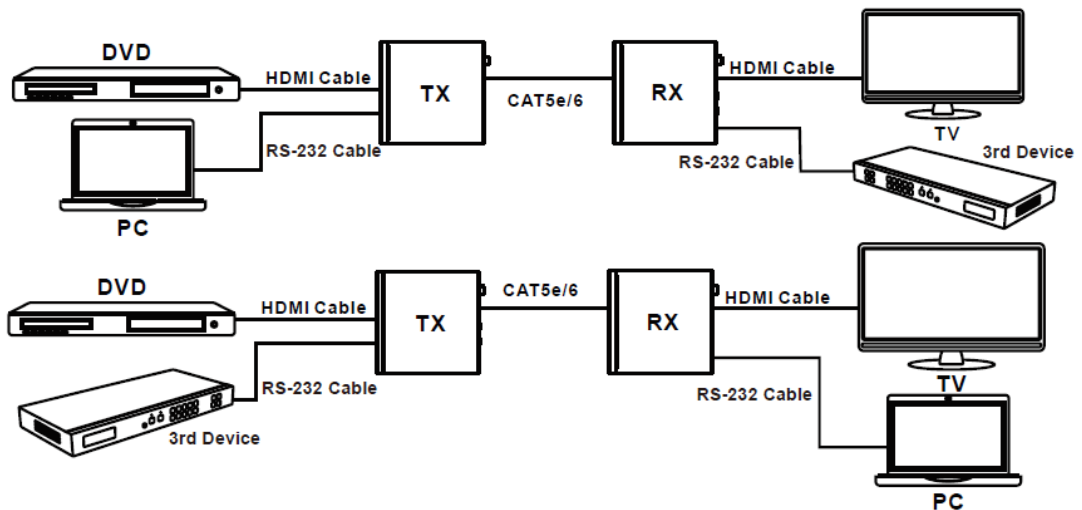
◆ POC (Power Over Cable) 应用示意图



◆ 双向红外控制应用示意图



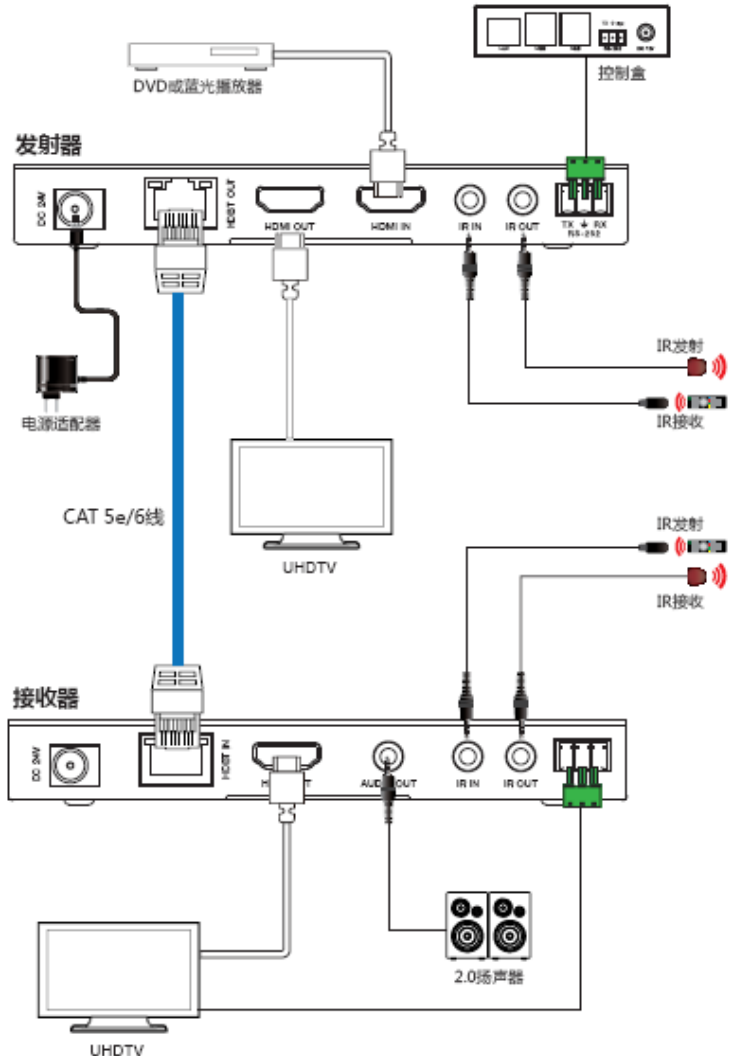
◆ 双向RS-232控制应用示意图



3. 功能特性

- 兼容HDMI 2.0b、 HDCP 2.2/HDCP 1.4和DVI 1.0
- 支持18Gbps视频带宽
- 输入、输出延长距离达到120米/150米，支持分辨率达到4K2K/1080P
- 支持1路HDMI环路输出（发射端）
- 支持解嵌源设备的音频至模拟立体声输出（接收端）
- 支持双向IR、 RS-232和CEC直通
- 支持HDR， HDR 10+， Dolby Vision和HLG功能
- 支持PoC（Power over Cable）功能
- 设计合理，便于安装

4. 系统连接图





中国 上海（总公司）
T: +86 21 52669198 +86 21 52669173
长宁区中山西路1055号中山广场A座16F

Operations Guide – DOC.H150

Specifications subject to
change without notice.